

BUMPER

FRONT BUMPER

- Put on gloves to protect your hands.
- Take care not to bend or scratch the cover and other parts.
- Replace any damage clips.

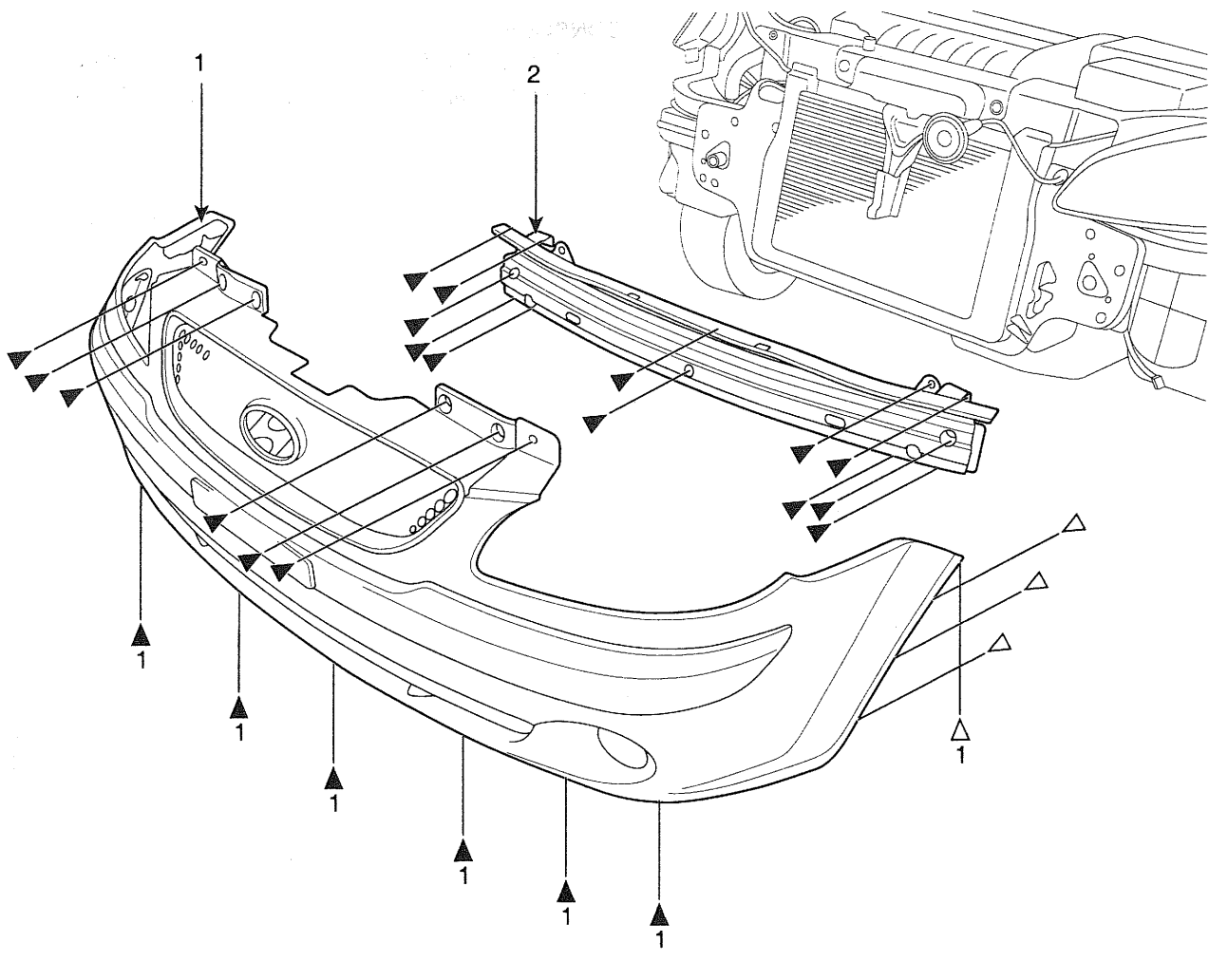
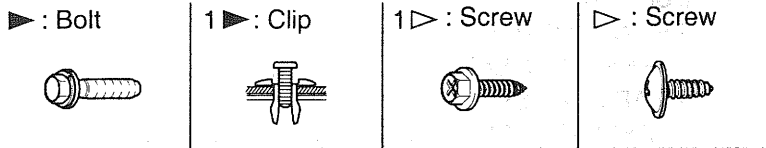
REPLACEMENT EOF7C583

NOTE

- When prying with a flat-tip screwdriver, wrap it with protective tape around the related parts, to prevent damage.

1. After loosening the mounting clips and bolts, remove the front bumper.
2. Installation is the reverse of removal.

Fastener Locations



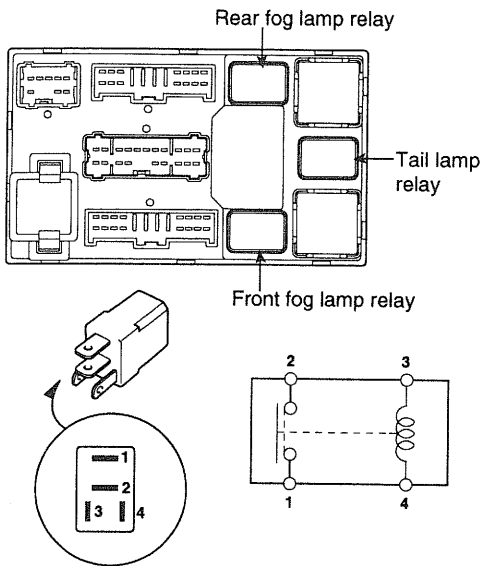
1. Front bumper cover
2. Front bumper rail

FRONT FOG LAMPS

INSPECTION E8EE8B72

RELAY INSPECTION

1. Check the relays are fixed strongly in each module.
2. Check if the relays are proper type.

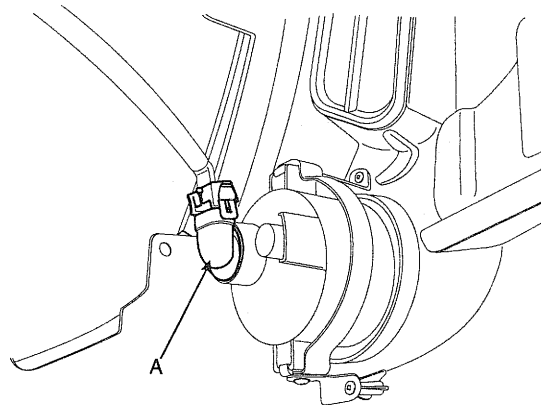


ETPD224B

REPLACEMENT E5FCFBDA

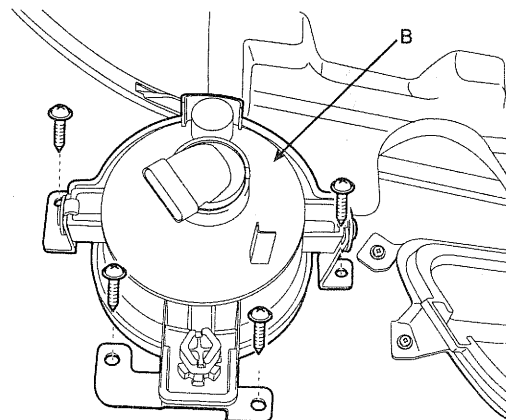
FRONT FOG LAMP

1. Disconnect the negative (-) battery terminal.
2. Remove the front bumper. (Refer to the Body group - front bumper)
3. Disconnect the front fog lamp connector (A).



KTPF496B

4. Remove the front fog lamp (B) from the front bumper after loosening 4 screws.

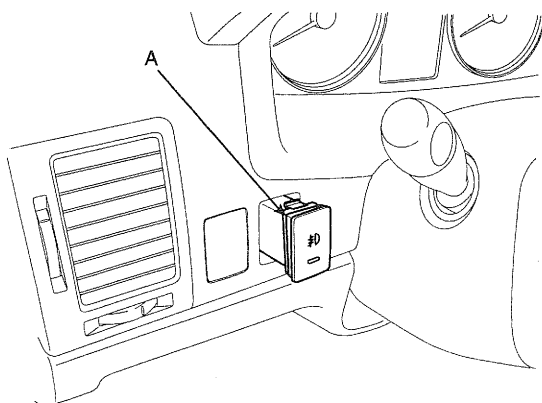


KTPF496C

5. Installation is the reverse of removal.

FRONT FOG LAMP SWITCH INSPECTION

1. Disconnect the negative (-) battery terminal.
2. Remove the front fog lamp switch (A) by pulling it at the behind side of the crash pad lower pad.

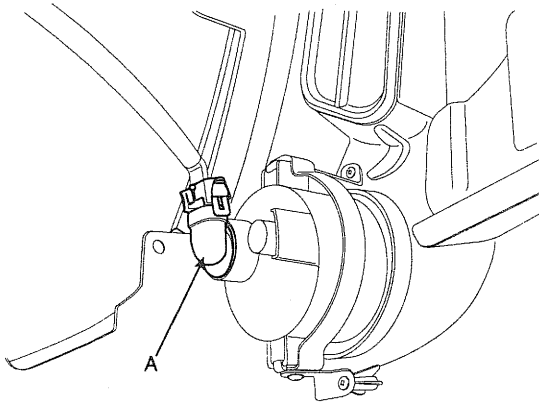


KTPF496A

3. Replace new front fog lamp switch and Check the operation.

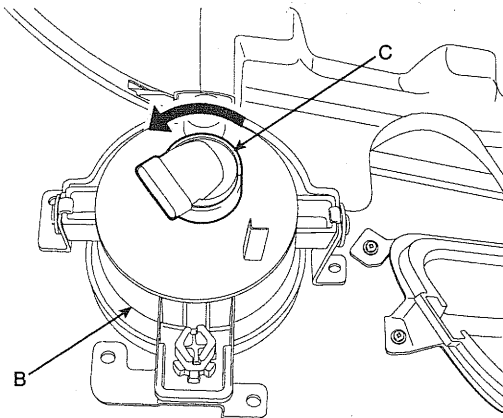
FRONT FOG LAMP BULB

1. Disconnect the negative (-) battery terminal.
2. Remove the front bumper. (Refer to the Body group - front bumper)
3. Disconnect the front fog lamp connector (A).



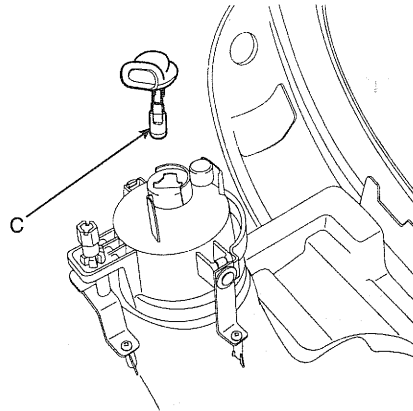
KTPF496B

4. Remove the bulb (C) from the front fog lamp assembly (B) after turning it counterclockwise.



KTPF496D

5. Replace new bulb (C).



KTPF496E